

# Coaxial Cable: 4 way Video Distributor & Video Amplifier

**ITEM NO.:** Vid-Dist/4

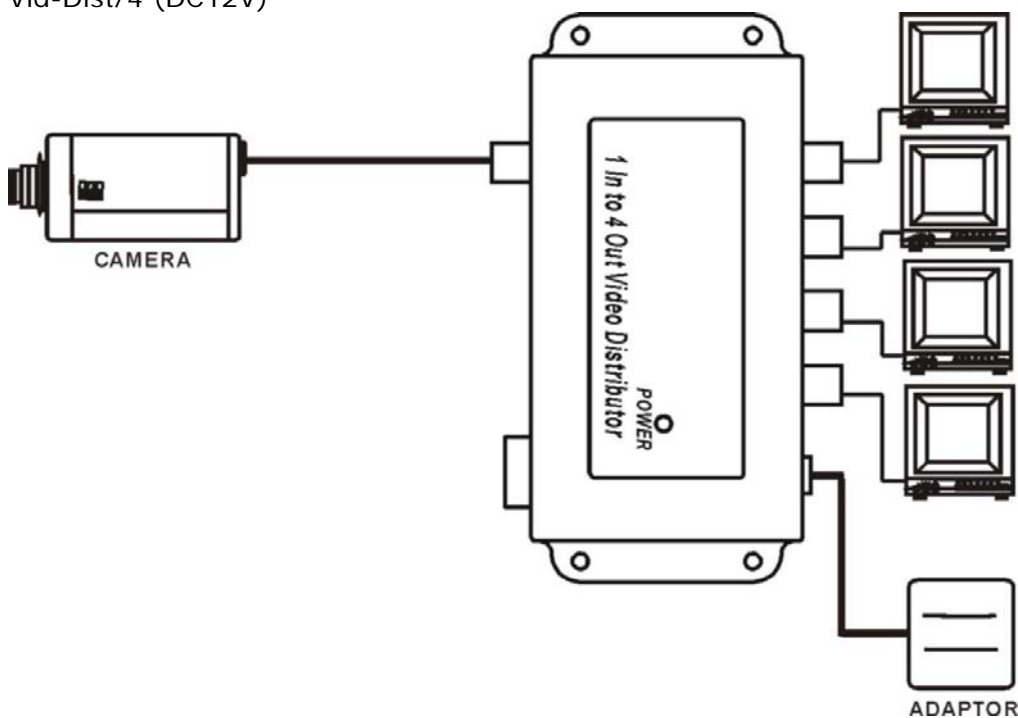
This Video Distributor has one video input & four video outputs. It is suitable for transmission up to 300 metres when used with good quality 75 ohm video coaxial cable.

## 1 Input to 4 Output Video Distributor

### Feature

- Red LED: power On/Off.
- Connect to Security Cameras, Switchers, Security Monitors, VCR, Quad, Multiplexer, Security Video Recorder, PC Video Card, CCTV DVR, etc.

Vid-Dist/4 (DC12V)



### Specifications:

ITEM NO.	CD104
Video Input Channel	1 - BNC Socket
Video Output Channel	4 - BNC Socket
Video Input Level	0.8~1.2Vp-p, 75 Ohms
Video Output Level	1Vp-p (Standard), 75 Ohms
Video Bandwidth	10 Hz - 10 MHz
Power Supply	12 Volts DC observe polarity
Power Consumption	~ 100 mA
Dimensions W x H x D mm	138x86x29.5 (includes I/O sockets)
Temperature	Operation: 0 to 55°C, Storage: -20 to 85°C
Humidity	Up to 95%
Weight g	115
Material	ABS Black

