

Coaxial Cable : 4 Channel Video Extender & Video Amplifier

Vid-Amp/4

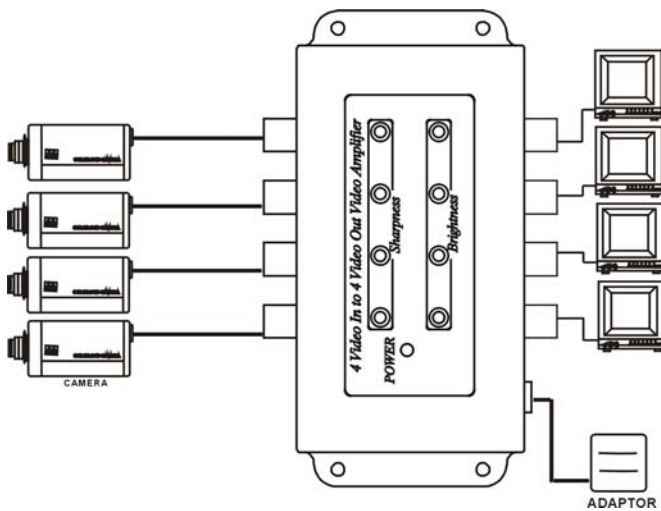
This 4 channel video extender amplifier is for extending video transmission up to 1000 meters over high quality RG59 video coaxial cable.



Features:

Video Amplifier Video Extender 4 Input to 4 Output

- Wide Bandwidth amplification.
- 4 x Video Brightness controls.
- High Frequency compensation.
- 4 x Sharpness controls.
- Transmission range up to 1000 meters (high quality RG59 coaxial cable)
- Red LED: power On/Off.
- Suitable for use with Security Cameras, Microphones, CCTV Video Recorders, Video Monitors, Switchers, Quads, Multiplexers, VCR, DVR, etc.



Specifications:

ITEM NO.	Vid-Amp/4
Video Input Channel	4 - BNC socket
Video Output Channel	4 - BNC socket
Video Input Level	0.8~1.2Vp-p, 75 Ohms
Video Output Level	1Vp-p (Standard), 75 Ohms
Video Bandwidth	10 Hz - 10 MHz
Transmission Range	up to 1000 meters
Power Supply	12 Volts DC observe polarity
Power Consumption	~ 220mA
Dimensions WxHxD	138x84x28 mm
Weight g	240
Material	ABS Black